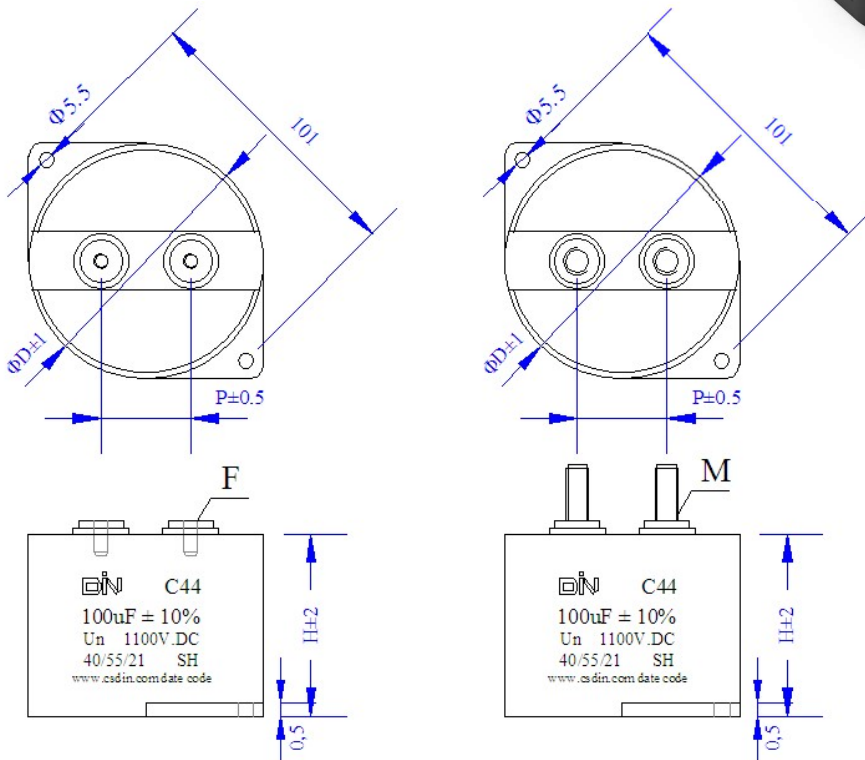


## C44 系列 SERIES

### ■ 外形图 Outline Drawing



### ■ 特点

- 应用于直流滤波电路中，可替代电解电容器
- 塑料外壳封装，阻燃（UL 94V-0 级）树脂灌封
- 等效串联电阻小，自感小
- 能承受较大的纹波电流

### ■ 主要用途

- 风能发电、太阳能发电用变频器
- 焊接设备，电梯，电机驱动

### ■ Features

- Used in DC-Link circuits, can replace electrolytic capacitor
- Plastic case, epoxy resin sealing (UL 94V-0)
- Low ESR&Low ESL
- High ripple current handling capabilities

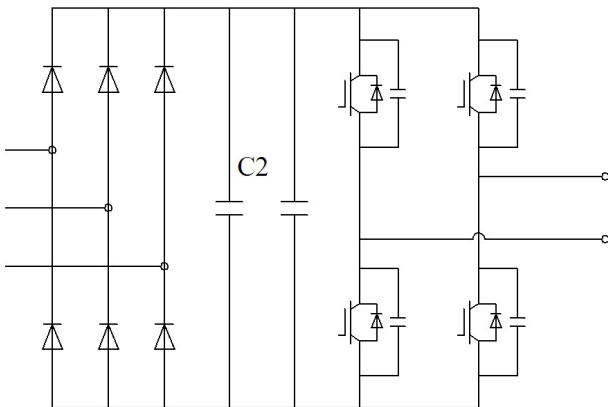
### ■ Typical application

- Used in inverters of wind power and solar power
- Welders, Elevators, Motor Driver systems

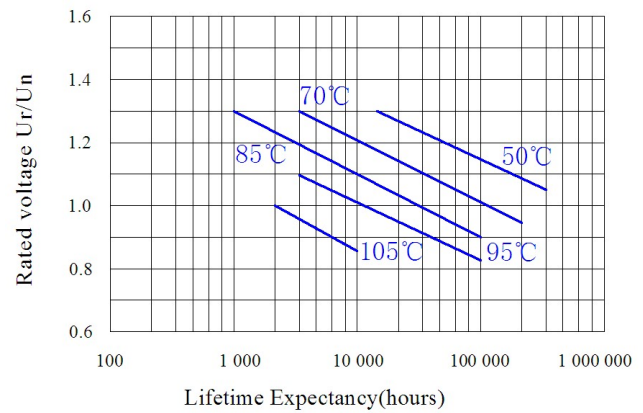
■ 技术参数 Technical Specifications

项目 Items	性能要求 Characteristics	
引用标准/Reference standards	GB/T 17702 IEC 61071	
容量范围/Capacitance	35 $\mu$ F ~600 $\mu$ F	
额定电压/Rated Voltage	600V.DC~1500V.DC	
容量偏差/Tolerance	$\pm$ 5% $\pm$ 10%	
损耗角正切/Dissipation factor	$\text{tg}\delta \leq 20 \times 10^{-4}$ at 25 $^{\circ}$ C $\pm$ 5 $^{\circ}$ C,100Hz	
绝缘电阻/Insulation resistance	$C \cdot R \geq 5000\text{S}$ ,at 100V.DC,25 $^{\circ}$ C $\pm$ 5 $^{\circ}$ C,60s	
工作温度范围/Operating temperature range	-40 $^{\circ}$ C~85 $^{\circ}$ C	
极间耐电压/Test voltage between terminals	1.5Un (10S,25 $^{\circ}$ C $\pm$ 5 $^{\circ}$ C)	
极壳耐电压/Test voltage between terminals and case	3000V.AC(10S,50/60Hz,25 $^{\circ}$ C $\pm$ 5 $^{\circ}$ C)	
过电压/Over voltage	1.1 Un	30% of the service period
	1.15 Un	30 min/day
	1.2 Un	5 min/day
	1.3 Un	1 min/day
	1.5 Un	100ms no more than 1000 times
最大安装扭矩/ Max. Torque of Installation	3.0Nm	
最大电极扭矩/Max. Torque of terminals	M5:2.5Nm	M8:6.0Nm
最高使用海拔/Max Altitude	2000m	
预期寿命/Expected lifetime	参考预期寿命曲线 Refer to Expected lifetime curve	
失效率/Failure rate	100FIT	

■ 典型线路/Typical circuit



■ 预期寿命曲线/ Expected lifetime curve



■ 产品编码说明/Part number code system

▲ 18 位产品代码如下:

▲ The 18 digits part number is formed as follow:

C	4	4															
1	2	3	4	5	6	7	8	9	10	11	12	13	14	15	16	17	18

1~3 位: 型号代码

Digit 1~3: Series code

4~6 位: 标称容量

Digit 4~6: Rated capacitance value

如: 104=10×10<sup>4</sup>PF=0.1uF

Example: 104=10×10<sup>4</sup>PF=0.1uF

7~10 位: 内部特征码

Digit 7~10: Internal use

11 位: 容量偏差

Digit 11: Capacitance tolerance

J=±5%、K=±10%、M=±20%

J=±5%、K=±10%、M=±20%

12~13 位: 额定电压

Digit 12~13: Rated voltage

24=600V、28=800V、20=900V

24=600V、28=800V、20=900V

3B=1100V、3E=1300V、3F=1400V

3B=1100V、3E=1300V、3F=1400V

3G=1500V

3G=1500V

14~17 位: 外形尺寸代码

Digit 14~17: Dimension code

14位 Digit 14		15位 Digit 15		16位 Digit 16		17位 Digit 17	
代码 Code	直径 Diameter	代码 Code	高度 Height	代码 Code	脚距 Pitch	代码 Code	引出端规格 Specifications of terminals
8	85	1	40	L	45.0 mm	B	螺母M6*15*10
B	115	2	50	6	60.0 mm	C	螺母M8*15*10
		3	65			E	螺杆M6*15*20
		4	76			F	螺杆M8*15*20

18 位: 安装形式

Digit18: Fix style

E=下双耳

E=Double mounting ears in the bottom of the case

■ 标准品一览表 Standard size

静电容量 Cap(uF)	Outline size (mm)		ESR @10kHz (mΩ)	Ls (nH)	R <sub>th</sub> (K/W)	İ (A)	Imax (A)		Weight (kg)	Part number
	ΦD	H					55℃	65℃		
Un: 600V.DC										
170	85.0	40	0.8	25	6.8	2051	74	60	≈0.35	C44177****□2484L*E
260	“	50	0.9	32	5.3	2193	79	64	≈0.40	C44267****□2485L*E
380	“	65	1.0	40	5.0	2135	77	63	≈0.48	C44387****□2486L*E
600	115.0	“	1.1	“	3.4	3791	89	73	≈0.90	C44607****□24B66*E
Un: 800V.DC										
100	85.0	40	0.9	25	6.8	2074	70	57	≈0.35	C44107****□2884L*E
150	“	50	1.0	32	5.3	2174	75	61	≈0.40	C44157****□2885L*E
220	“	65	1.1	40	5.0	2123	73	60	≈0.48	C44227****□2886L*E
350	115.0	“	1.3	40	3.4	3798	82	67	≈0.90	C44357****□28B66*E
Un: 900V.DC										
100	85.0	40	0.9	25	6.8	2074	70	57	≈0.35	C44107****□2084L*E
150	“	50	1.0	32	5.3	2174	75	61	≈0.40	C44157****□2085L*E
220	“	65	1.1	40	5.0	2123	73	60	≈0.48	C44227****□2086L*E
350	115.0	“	1.3	“	3.4	3798	82	67	≈0.90	C44357****□20B66*E
Un: 1100V.DC										
66	85.0	40	1.2	25	6.8	1828	60	49	≈0.35	C44666****□3B84L*E
100	“	50	1.3	32	5.3	1936	66	53	≈0.40	C44107****□3B85L*E
140	“	65	1.5	40	5.0	1805	63	51	≈0.48	C44147****□3B86L*E
190	“	76	1.7	45	4.6	2003	61	50	≈0.55	C44197****□3B87L*E
150	“	“	1.5	“	4.6	1861	65	53	≈0.55	C44157****□3B87L*E
230	115.0	65	1.4	40	3.4	3333	79	64	≈0.90	C44237****□3BB66*E

◇ 备注：特殊需要可根据客户要求另行设计

◇ Note: Special requirements can be designed according to customer requirements

■ 标准品一览表 Standard size

静电容量 Cap(uF)	Outline size (mm)		ESR @1kHz (mΩ)	Ls (nH)	R <sub>th</sub> (K/W)	I <sub>1</sub> (A)	I <sub>max</sub> (A)		Weight (kg)	Part number
	ΦD	H					55℃	65℃		
Un: 1300V.DC										
47	85.0	40	1.3	25	6.8	1780	58	47	≈0.35	C44476****□3E84L*E
70	“	50	1.4	32	5.3	1853	63	51	≈0.40	C44706****□3E85L*E
100	“	65	1.8	40	5.0	1763	57	47	≈0.48	C44107****□3E86L*E
130	“	76	1.9	45	4.6	1874	58	“	≈0.55	C44137****□3E87L*E
160	115.0	65	1.6	40	3.4	3170	74	60	≈0.90	C44167****□3E876*E
Un: 1400V.DC										
40	85.0	40	1.3	25	6.8	1742	58	47	≈0.35	C44406****□3F84L*E
56	“	50	1.5	32	5.3	1735	61	50	≈0.40	C44566****□3F85L*E
86	“	65	1.8	40	5.0	1743	57	47	≈0.48	C44866****□3F86L*E
110	“	76	1.9	45	4.6	1823	58	“	≈0.55	C44117****□3F87L*E
130	115.0	65	1.7	40	3.4	2961	72	58	≈0.90	C44137****□3FB66*E
Un: 1500V.DC										
35	85.0	40	1.4	25	6.8	1198	56	45	≈0.35	C44356****□3G84L*E
50	“	50	1.6	32	5.3	1636	59	48	≈0.40	C44506****□3G85L*E
76	“	65	1.9	40	5.0	1656	56	45	≈0.48	C44766****□3G86L*E
95	“	76	2.1	45	4.6	1692	55	“	≈0.55	C44956****□3G87L*E
110	115.0	65	1.8	40	3.4	2693	70	57	≈0.90	C44117****□3GB66*E

- ◇ 备注：特殊需要可根据客户要求另行设计
- ◇ Note: Special requirements can be designed according to customer requirements
- ◇ 1.“\*\*\*\*”表示内部特征码；“\*\*\*\*”=Internal use
- ◇ 2.“□”表示容量偏差；“□”= Capacitance tolerance
- ◇ 3.“\*”表示引出端型体；“\*”= Specifications of terminals